

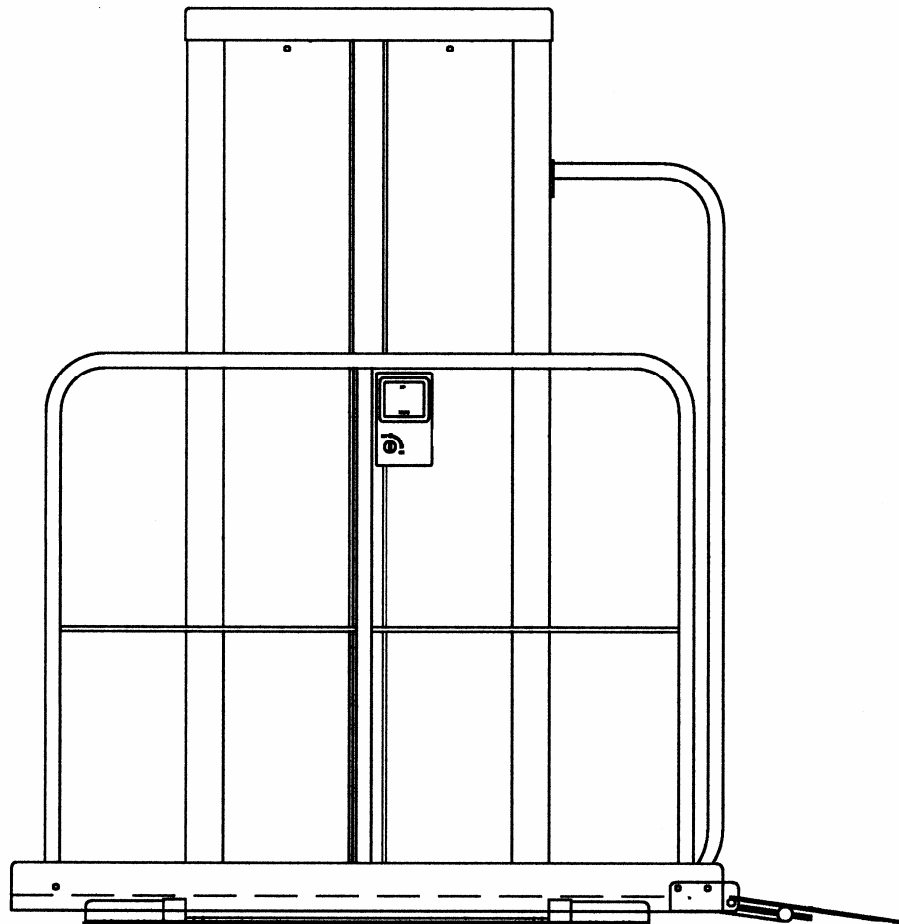
Mac's Lift Gate, Inc.



2715 Seaboard Lane
Long Beach, CA 90805
Toll free: (800) 795-6227
Email: macslift@aol.com

Installation & Owners Manual Mac's Vertical Home Lift

Model: PL-50
Model: PL-72



Manual updated 11/07

For lifts Serial # 9100 and above



Operating Instructions for Mac PL-50 & PL-72

1. Move onto the lift platform
2. If you are in a wheelchair lock the brakes of the chair
3. Turn the key of the lift to the on position
4. Operate the lift by pushing and holding “UP” on the control pad. The lift will automatically shut down if the user takes their hand off of the control pad
5. The lift will automatically shut off once the platform has reached the top landing. Once the platform makes a complete stop the passenger may exit the lift
6. To lower the platform move onto the platform
7. Lock both brakes on the wheelchair and push and hold the “DOWN” on the control pad.
8. Once the platform reaches the lower landing the ramp will unfold

Operating Instructions for Mac PL-50 & PL-72 With Optional Landing or Platform gate w/interlock

1. Move onto the lift platform and close platform gate. **(Lift will not operate unless the platform gate(s) are securely closed)**
2. If you are in a wheelchair lock the brakes of the chair
3. Turn the key of the lift to the on position
4. Operate the lift by pushing and holding “UP” on the control pad. The lift will automatically shut down if the user takes their hand off of the control pad
5. The lift will automatically shut off once the platform has reached the top landing. Once the platform makes a complete stop top landing gate will unlock and the passenger may exit the lift
6. To lower the platform move onto the platform and close platform gate. **(Lift will not operate unless the platform gate(s) are securely closed)**
7. Lock both brakes on the wheelchair and push and hold the “DOWN” on the control pad. Once the platform reaches the lower landing the ramp will unfold and the lower landing gate will unlock



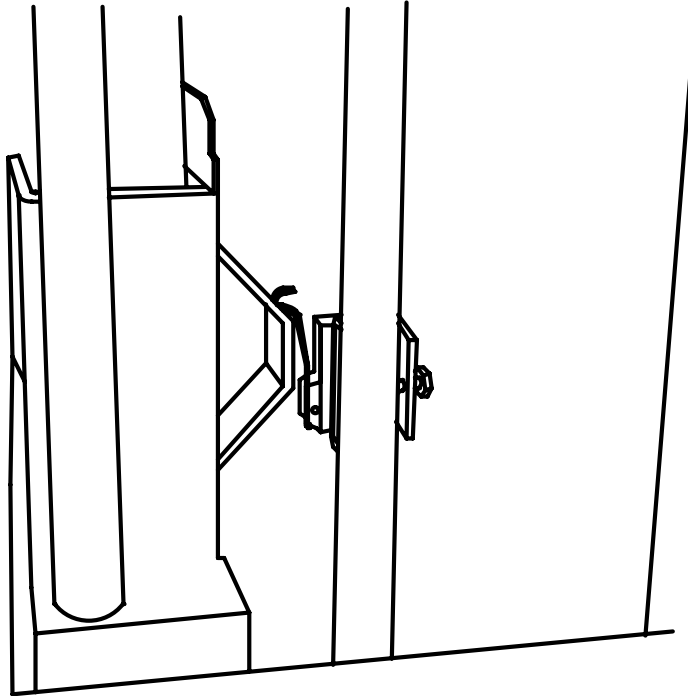
Mounting Instructions for Mac PL 50 or PL 72

Specifications for Installation Site:

Lift should be mounted on smooth, flat concrete at least 4" inches thick. The mounting site for the lift should be at least 60" x 60" wide

Mounting instructions for lift

1. Position lift in front of porch or landing
2. Connect lift electrical by plugging lift into an 110VAC outlet. Note that the power cord may be threaded through either side of the lift tower
3. Run the platform up or down to ensure that the lift does not make contact with wall of the building. The lift platform should be between 1/4" to 1/2" inch from the wall.
4. Using the concrete anchor bolts. Bolt the lift to the floor using a minimum of two bolts in the rear and two in the front.
5. Set the top platform limit switch to the proper height. Remove the right front panel of the lift housing. With the platform level with the top landing, set the top limit switch to automatically shut the unit off at the correct height. (***Do not over tighten***) Test the lift several times while standing on the platform to ensure that the lift stops at the correct level.

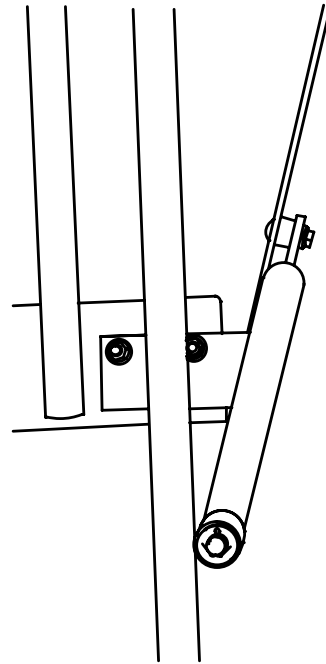
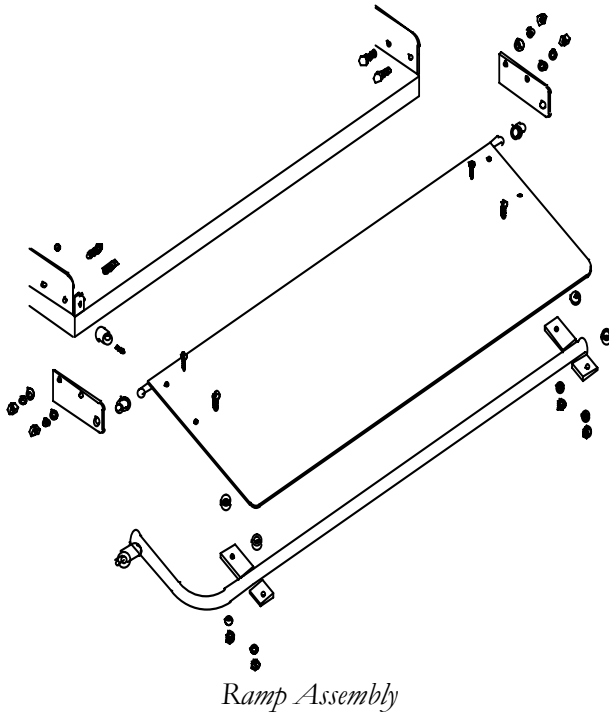


Adjust upper limit switch to strike platform slide frame



Assembling Roller Bar and Lower Landing Ramp

1. Bolt the ramp roller bar to the lift tower on the side that the user will exit the lift on the lower landing
2. Bolt the rubber ramp bumper to the bottom corner of platform that the ramp will be mounted on



Roller rest on outside of bar

3. Attach ramp actuator to the bottom, smooth side of the ramp. Mount actuator so roller will contact roller bar when assembly is complete
4. Bolt ramp to platform. Be sure actuator roller is able to make contact with roller bar when lift is going up.



Troubleshooting

| Problem | Possible Cause | Solution |
|--|---|---|
| Lift will not go up or down. Lift makes no noise | Key not turned to the on position | Turn key to on |
| Lift will not go up or down. Lift makes no noise | No power to lift | Check electrical outlet to see if it is receiving power. Use a household appliance (lamp or blow dryer to see if outlet works |
| Lift will not go up or down. Lift makes no noise | Malfunctioning limit switch | a) With the hand crank move the platform so it is off the limit switch and check if lift will go up or down. b) Check platform safety pans if equipped |
| Lift will not go up or down. Lift makes no noise | Landing Gate door is ajar (if equipped) | Check landing gate door to make sure properly closed |
| Lift will not operate, clicking noise when up or down button is pushed | Motor circuit breaker is tripped | Reset motor circuit breaker. Breaker is located on the side of motor inside the lift housing |

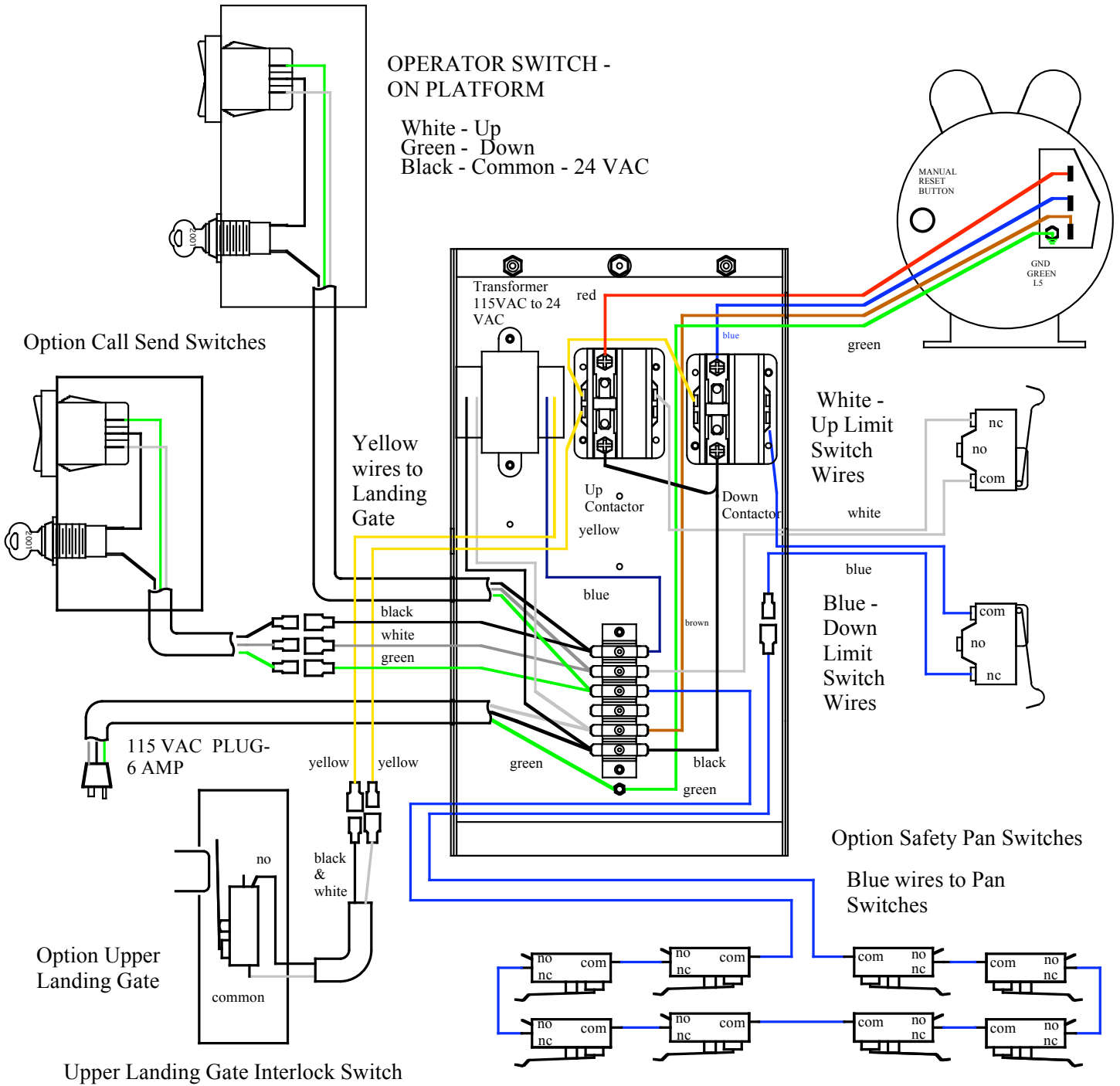
Maintenance

1. To ensure proper operation the following steps should be followed every year:
2. Lubricate the main lift drive chain with a light machine oil
3. Clean the center black post with a dry paper towel. **Never grease or lubricate the center post!!**
4. Check the ramp and roller arm to be sure that the mounting bolts are secure and tight.
5. Check the concrete mounting bolts to be sure they are secure and tight. The lift should not wobble.
6. Clean the outer lift housing and apply a coat of car wax to the white colored finish of the lift. **Never put wax on the black center post**



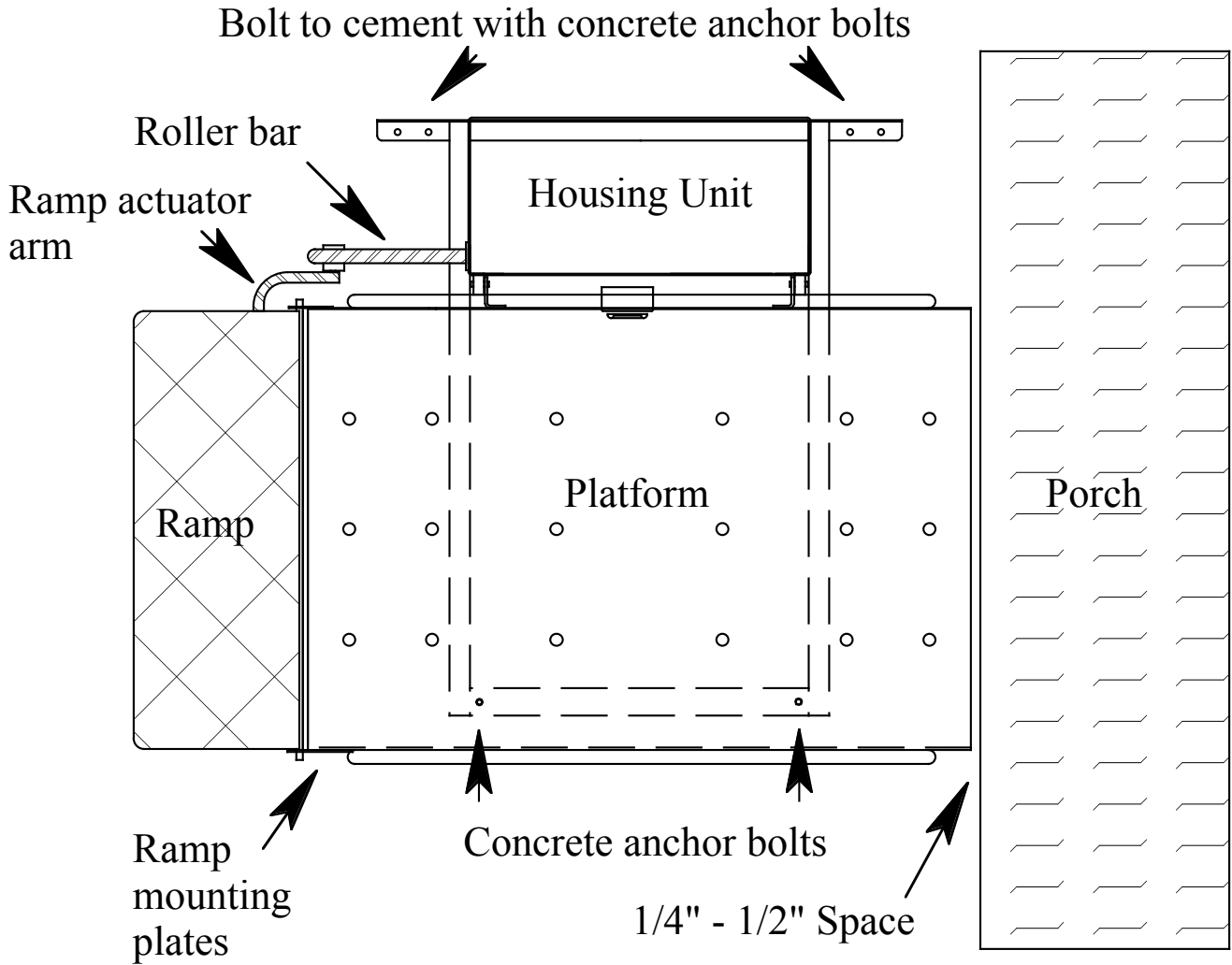
Wiring schematic for instant reverse motor; 1/2 hp

Model: PL-50 & PL-72 w/ call/sends, safety pan, emergency stop & gates



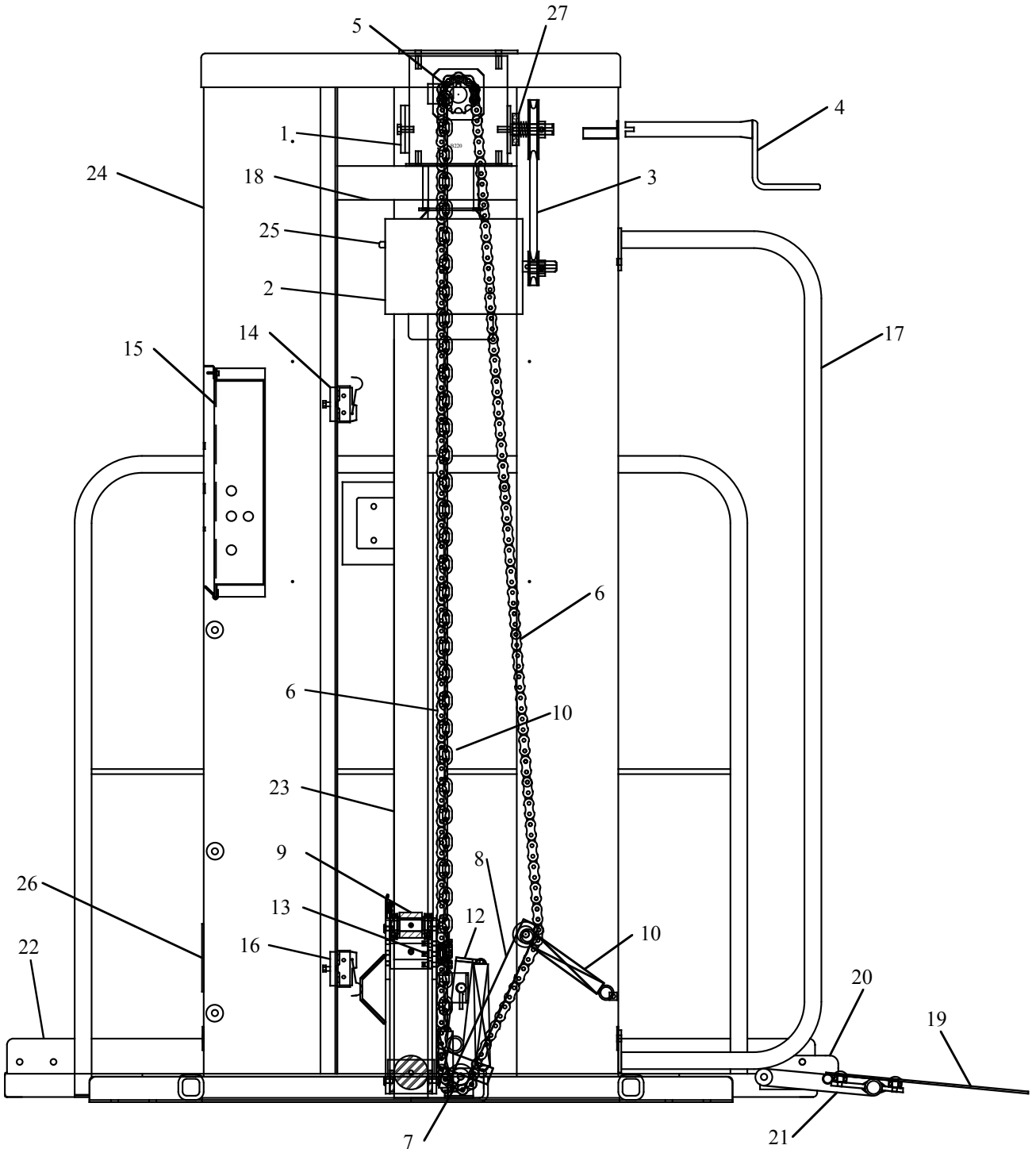
2-14-06

Vertical Home Lift bolt pattern



Vertical Home Lift Parts Layout

- | | | |
|-----------------------|----------------------|-------------------------|
| 1. gearbox | 10. tensioner spring | 19. ramp |
| 2. motor | 11. safety chain | 20. ramp mounting plate |
| 3. 'V' belt | 12. safety catch | 21. ramp actuator arm |
| 4. crank | 13. chain bolts | 22. platform |
| 5. drive sprocket | 14. upper limit sw. | 23. post |
| 6. chain | 15. electrical box | 24. tower |
| 7. bottom idler | 16. lower limit sw. | 25. motor manual reset |
| 8. chain tensioner | 17. roller bar | 26. name plate |
| 9. wheel with bearing | 18. gear box support | 27. friction disc |



Limited 5 Year Warranty: Vertical Home Lift

Mac's Lift Gate Inc. of Long Beach, California warrants its products against all defects in material and workmanship for a period of five (5) years, providing the products are installed, operated, and maintained properly. This warranty is limited to the original purchaser.

This warranty commences five (5) years from the date of the original retail purchase or original use, whichever occurs first, providing the warranty card is fully and correctly filled out and returned to Mac's Lift Gate Inc. within 30 working days.

The company's obligation under this warranty is exclusively limited to the repair or exchange of parts that fail within the five (5) year warranty time, and Mac's Lift Gate Inc. assumes no responsibility for any other expenses or damages, including incidental or consequential damages. This warranty does not cover damage to lift or parts caused by accident, misuse, abuse, lack of proper maintenance, failure to follow lift operating instructions or repairs undertaken by anyone other than Mac's Lift Gate Inc. factory employees or authorized distributors.

Thank you for the opportunity to serve you,

The Mac's Lift Gate Family

Detach Here

WARRANTY REGISTRATION

Model: _____ Installation Date: _____
Serial: _____
Customer Name: _____
Address: _____

Telephone: _____

Dealer Name: _____
Address: _____

Customer Signature: _____

Please return to MAC's Lift Gate Inc. within 30 days of installation

