



Mac's Lift Gate Inc.

Mac's PL-50 w/ 90 Degree Exit Platform Vertical Home Lift Technical Specifications

MODEL: PL-50 w/ 90 Degree Exit Platform Vertical Home Lift

RATED LOAD: 600 lbs maximum

NUMBER OF PASSENGERS: 1 passenger with mobility equipment

DRIVE: AC Powered lift: ½ hp instant reverse motor, 115 VAC, 5.9 amp
DC Powered lift: 1/2 hp motor, 12 VDC

INTERMEDIATE REDUCTION: V belt and pulley

FINAL DRIVE: #50 chain, US & Import

MOTOR CONTROLLER: AC Powered lift: 24 VAC, 2 contactors; 1 up and 1 down
DC Powered lift: 12 VDC, 2 contactors; 1 up and 1 down

STANDARD CONTROL: Constant pressure paddle control with key switch

SPEED: 8 feet per minute

LIFTING HEIGHT: Model PL-50 has a 50" maximum lifting height
Model PL-72 has a 72" maximum lifting height

MAIN FRAME CONSTRUCTION: Formed steel welded construction

CARRIAGE CONSTRUCTION: Steel tubing and formed channel welded construction

PLATFORM CONSTRUCTION: 1" steel tubing

AUTOMATIC LOWER RAMP: 12" automatic lowering ramp

MANUAL LOWERING DEVICE: Standard. Manual hand crank to lower device.

FINISH: Exterior grade powder coat paint, sandblast and primer.

LIMIT SWITCHES: Adjustable upper final limit switch.

WEIGHT OF UNIT: Model PL-50: 400 lbs
Model PL-72: 450 lbs

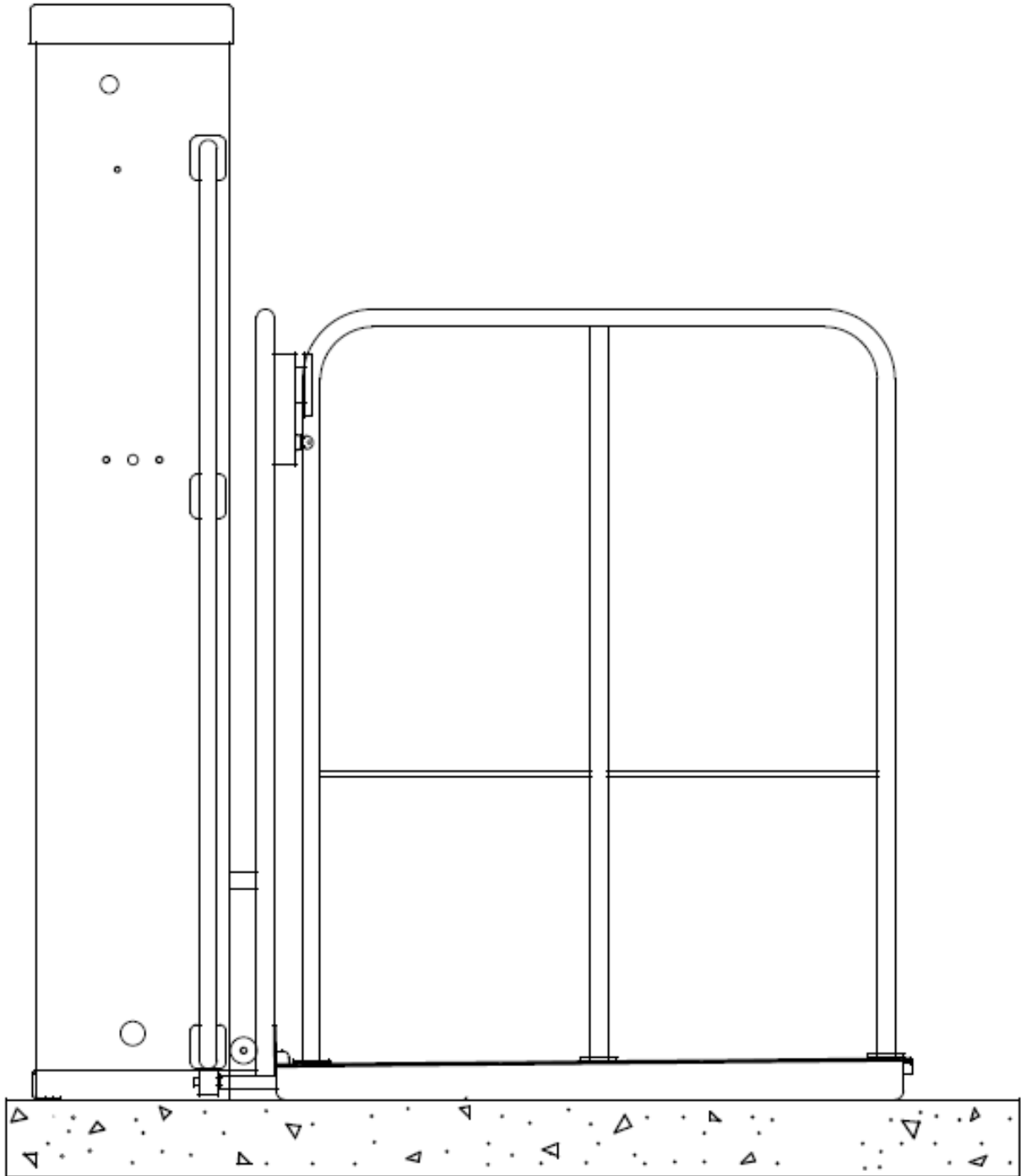
TESTING PERFORMED:

- 1) Life cycle test performed at manufacturer's location. Maximum load ran continuously, one time per minute (60 times per hour) up and down for 6 months straight. Over 20 years of daily use without any failure or maintenance required.
- 2) ASME A17.1 code tests performed at manufacturer's location



Mac's Lift Gate Inc.

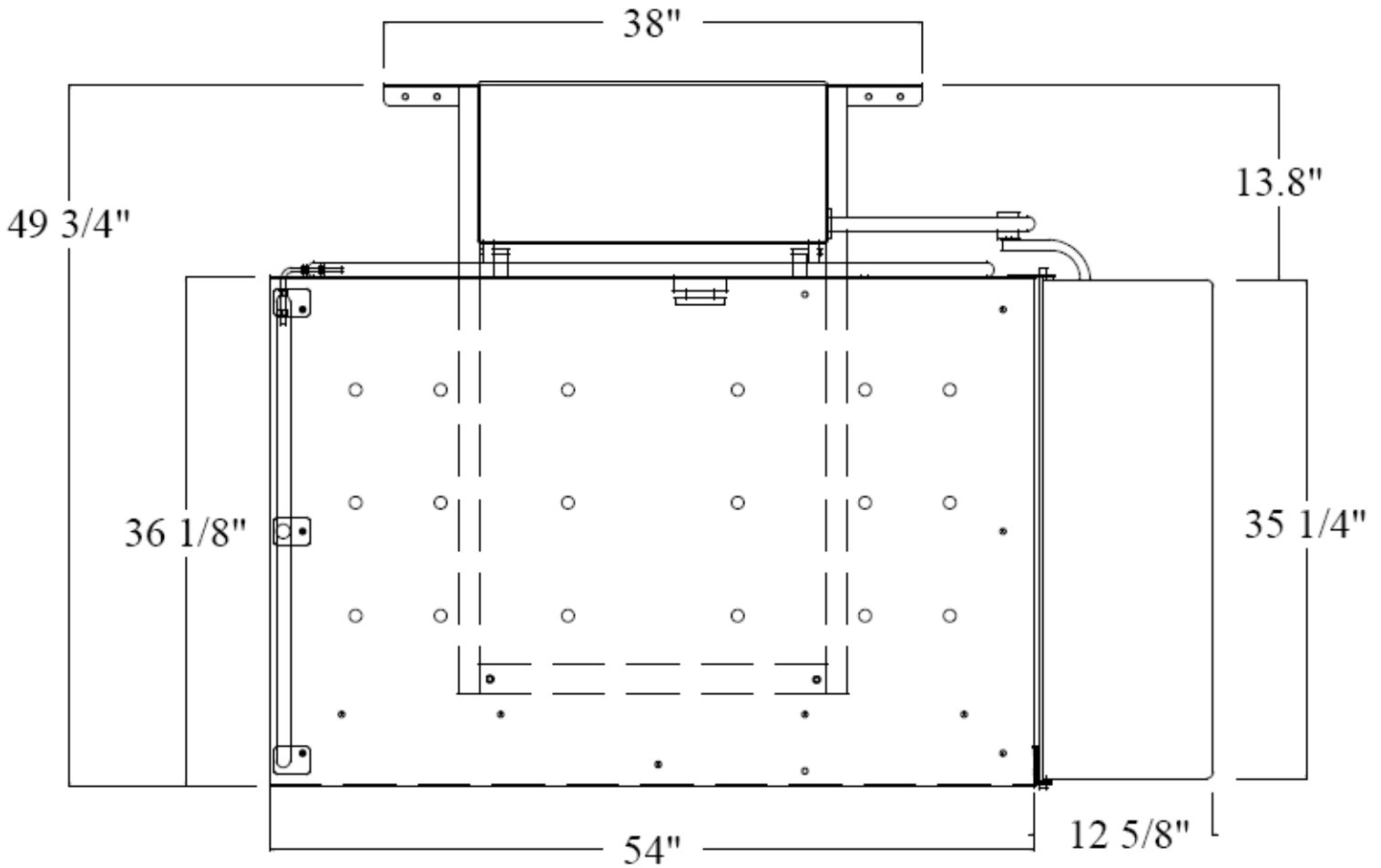
Mac's PL-50 w/ 90 Degree Exit Platform Vertical Home Lift Technical Specifications





Mac's Lift Gate Inc.

Mac's PL-50 w/ 90 Degree Exit Platform Vertical Home Lift Technical Specifications



PL-50 w/ 90 Degree Exit Platform
Platform Width: 36"
Platform length: 54"
Ramp length: 12"
Overall dimensions: 52" x 54"
4" (inch) Concrete Slab for Mounting



Mac's Lift Gate Inc.

Mac's PL-50 w/ 90 Degree Exit Platform Vertical Home Lift Technical Specifications

