



Mac's Lift Gate Inc.

Mac's PL-50 & PL-72 w/ADA Package Technical Specifications

MODEL: PL Series: Model PL-50 w/ ADA Package
Model PL-72 w/ ADA Package

RATED LOAD: 600 lbs maximum

NUMBER OF PASSENGERS: 1 passenger with mobility equipment

DRIVE: AC Powered lift: ½ hp instant reverse motor
DC Powered lift: ½ hp instant reverse motor

INTERMEDIATE REDUCTION: V belts and pulley

FINAL DRIVE: #50 chain

MOTOR CONTROLLER: 24 VAC, 2 contactors; 1 up and 1 down

STANDARD CONTROL: Constant pressure paddle control with key switch

SPEED: 8 feet per minute

LIFTING HEIGHT: Model PL-120 has a 120" maximum floor to floor lifting height

MAIN FRAME CONSTRUCTION: Formed steel welded construction

CARRIAGE CONSTRUCTION: Steel tubing and formed channel welded construction

PLATFORM CONSTRUCTION: 1" steel tubing with sheet aluminum for side walls

AUTOMATIC LOWER RAMP: 12" automatic lowering ramp

MANUAL LOWERING DEVICE: Standard. Manual hand crank to lower device.

FINISH: Exterior grade powder coat paint, sandblast and primer.

LIMIT SWITCHES: Adjustable upper final limit switch.

WEIGHT OF UNIT: Model PL-50 w/ ADA Package: 500 lbs
Model PL-72 w/ ADA Package: 550 lbs

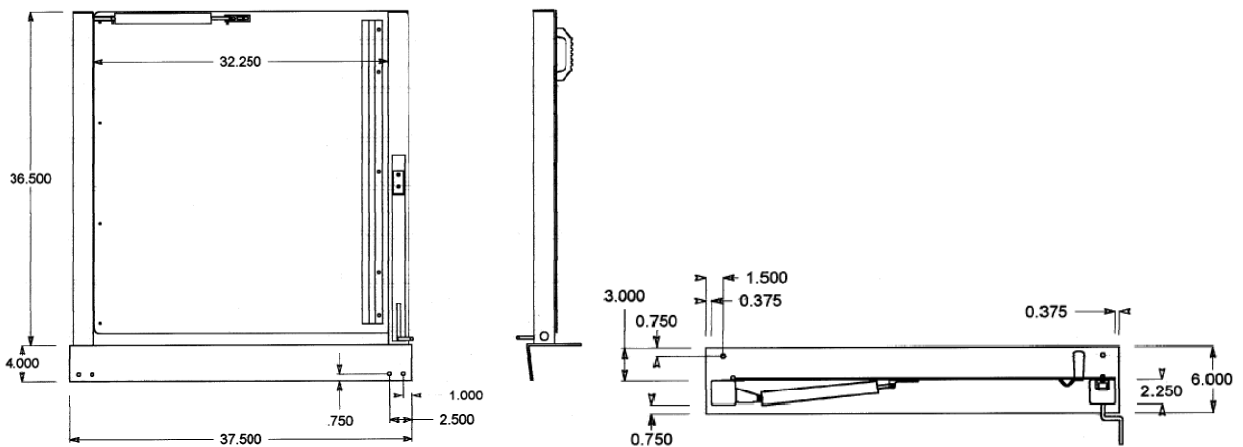
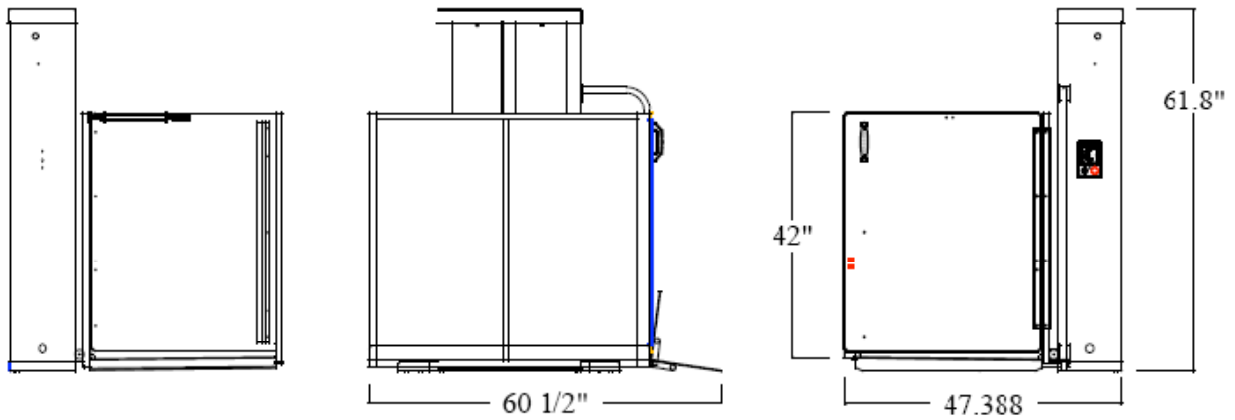
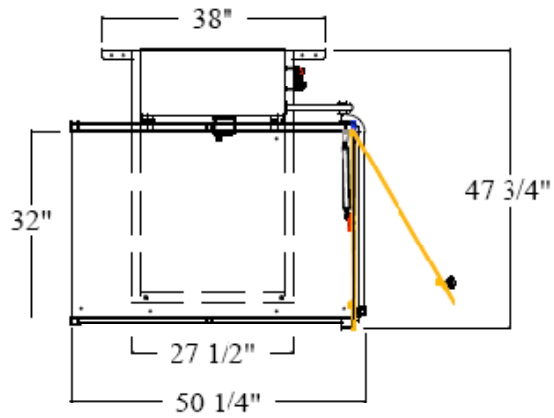
TESTING PERFORMED:

- 1) Life cycle test performed at manufacturer's location. Maximum load ran continuously, one time per minute (60 times per hour) up and down for 6 months straight. Over 20 years of daily use without any failure or maintenance required.
- 2) ASME A17.1 code tests performed at manufacturer's location



Mac's Lift Gate Inc.

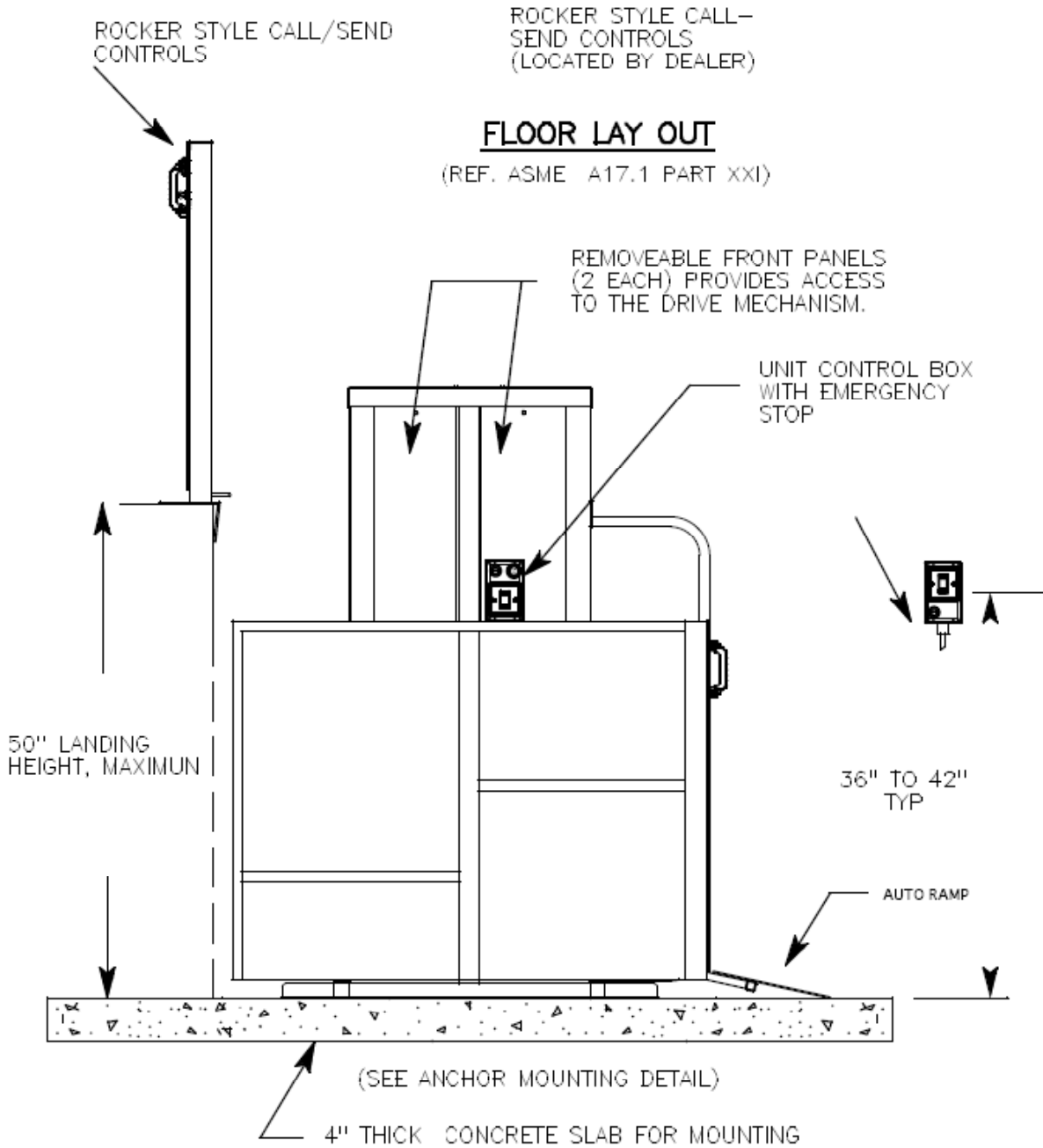
Mac's PL-50 & PL-72 w/ADA Package Technical Specifications





Mac's Lift Gate Inc.

Mac's PL-50 & PL-72 w/ADA Package Technical Specifications

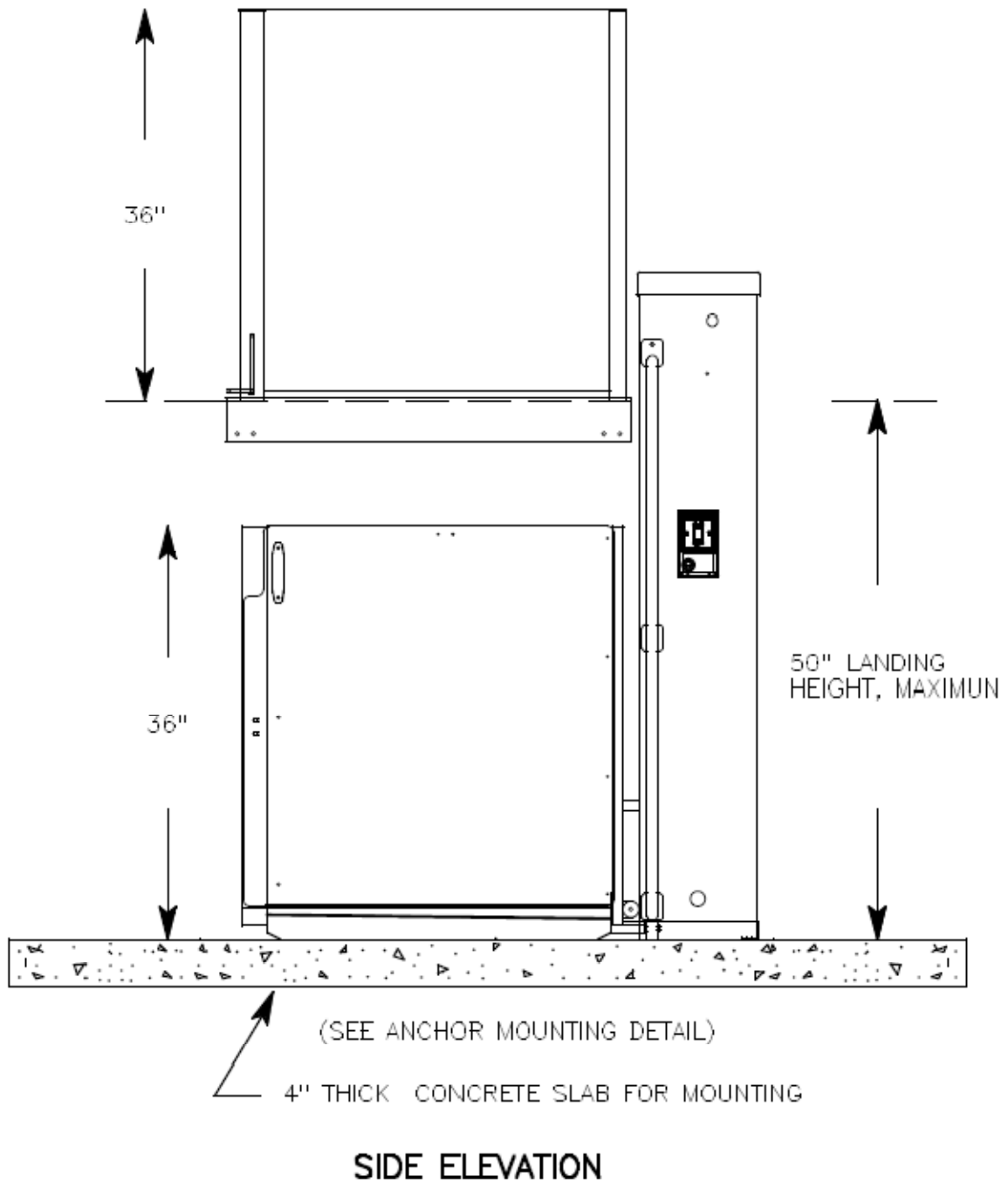


FRONT ELEVATION



Mac's Lift Gate Inc.

Mac's PL-50 & PL-72 w/ADA Package Technical Specifications





Mac's Lift Gate Inc.

Mac's PL-50 & PL-72 w/ADA Package Technical Specifications

