



Mac's Lift Gate Inc.

## **Mac's PL-50 Vertical Home Lift Technical Specifications**

*MODEL:* PL-50 Vertical Home Lift

*RATED LOAD:* 600 lbs maximum

*NUMBER OF PASSENGERS:* 1 passenger with mobility equipment

*DRIVE:* AC Powered lift: ½ hp instant reverse motor, 115 VAC, 5.9 amp  
DC Powered lift: 1/2 hp motor, 12 VDC

*INTERMEDIATE REDUCTION:* V belt and pulley

*FINAL DRIVE:* #50 chain, US & Import

*MOTOR CONTROLLER:* AC Powered lift: 24 VAC, 2 contactors; 1 up and 1 down  
DC Powered lift: 12 VDC, 2 contactors; 1 up and 1 down

*STANDARD CONTROL:* Constant pressure paddle control with key switch

*SPEED:* 8 feet per minute

*LIFTING HEIGHT:* Model PL-50 has a 50" maximum lifting height  
Model PL-72 has a 72" maximum lifting height

*MAIN FRAME CONSTRUCTION:* Formed steel welded construction

*CARRIAGE CONSTRUCTION:* Steel tubing and formed channel welded construction

*PLATFORM CONSTRUCTION:* 1" steel tubing

*AUTOMATIC LOWER RAMP:* 12" automatic lowering ramp

*MANUAL LOWERING DEVICE:* Standard. Manual hand crank to lower device.

*FINISH:* Exterior grade powder coat paint, sandblast and primer.

*LIMIT SWITCHES:* Adjustable upper final limit switch.

*WEIGHT OF UNIT:* Model PL-50: 400 lbs  
Model PL-72: 450 lbs

*TESTING PERFORMED:*

- 1) Life cycle test performed at manufacturer's location. Maximum load ran continuously, one time per minute (60 times per hour) up and down for 6 months straight. Over 20 years of daily use without any failure or maintenance required.
- 2) ASME A17.1 code tests performed at manufacturer's location

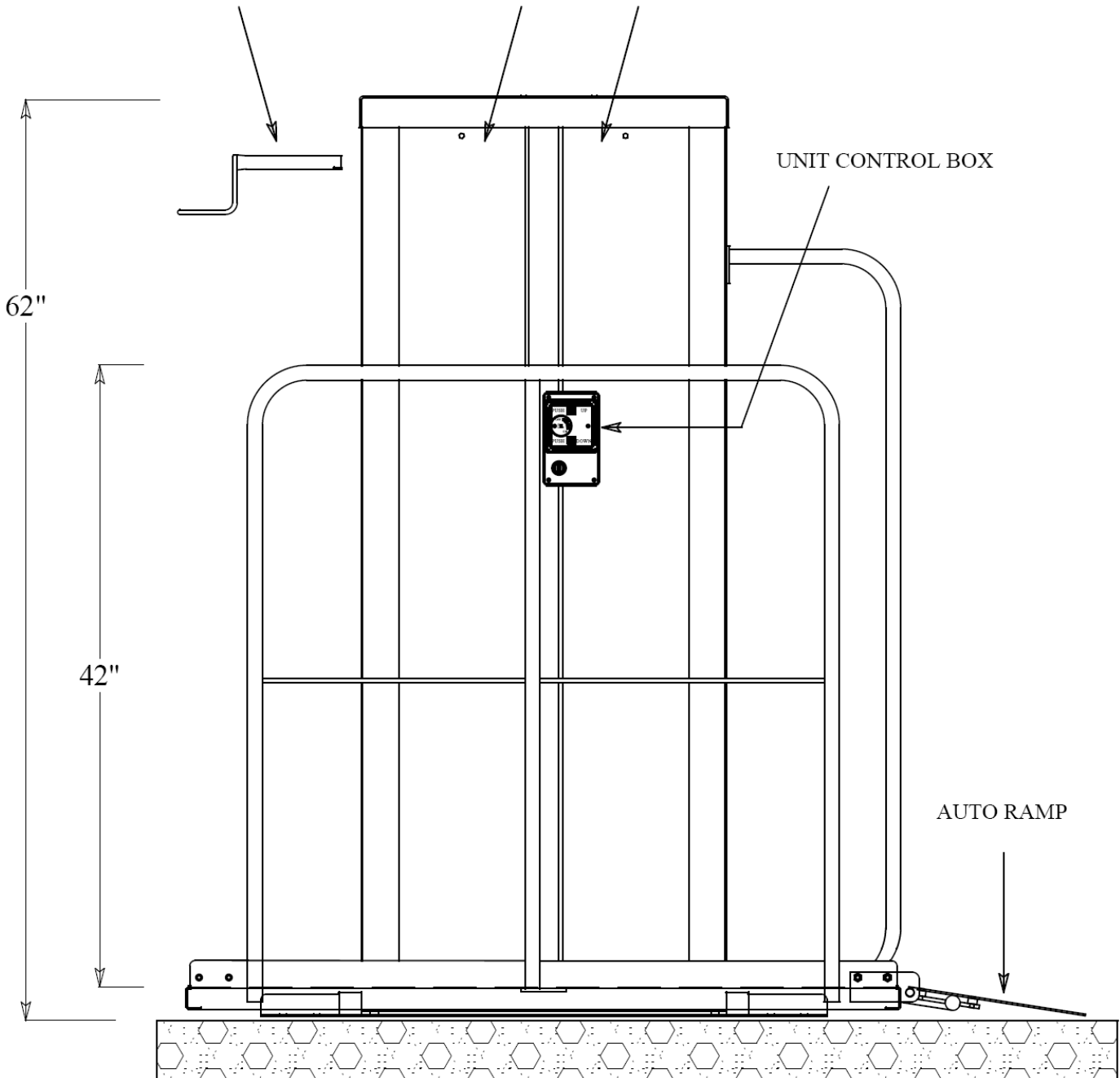


Mac's Lift Gate Inc.

### **Mac's PL-50 Vertical Home Lift Technical Specifications**

REMOVABLE FRONT PANNELS ( 2 EACH) AND  
REMOVABLE REAR PANNEL ( 1 EACH ) PROVIDES  
ACCESS TO THE DRIVE MECHANISM

MANUAL CRANK  
INSERT LOCATION

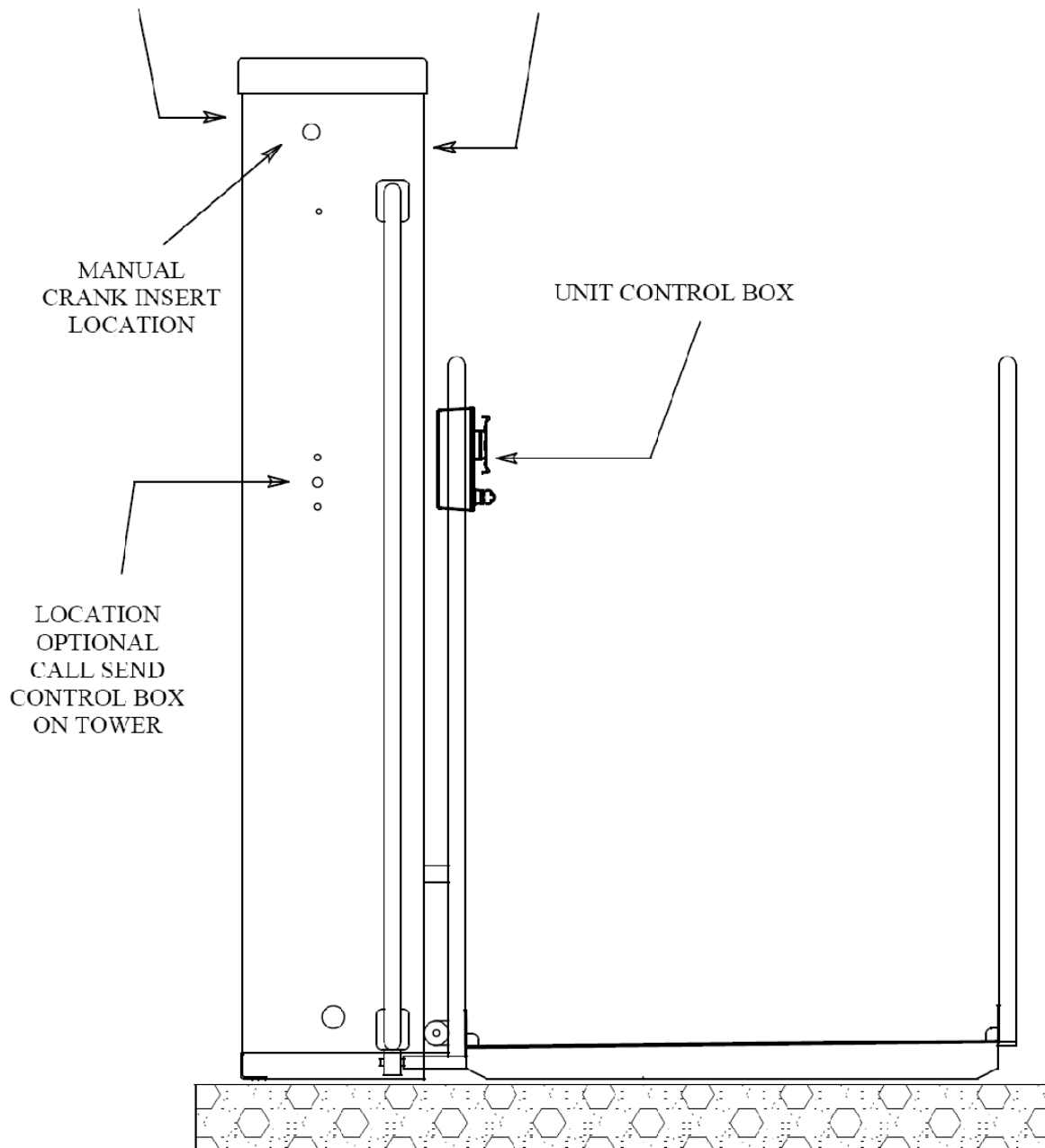




Mac's Lift Gate Inc.

### **Mac's PL-50 Vertical Home Lift Technical Specifications**

REMOVABLE FRONT PANNELS ( 2 EACH) AND  
REMOVABLE REAR PANNEL ( 1 EACH ) PROVIDES  
ACCESS TO THE DRIVE MECHANISM

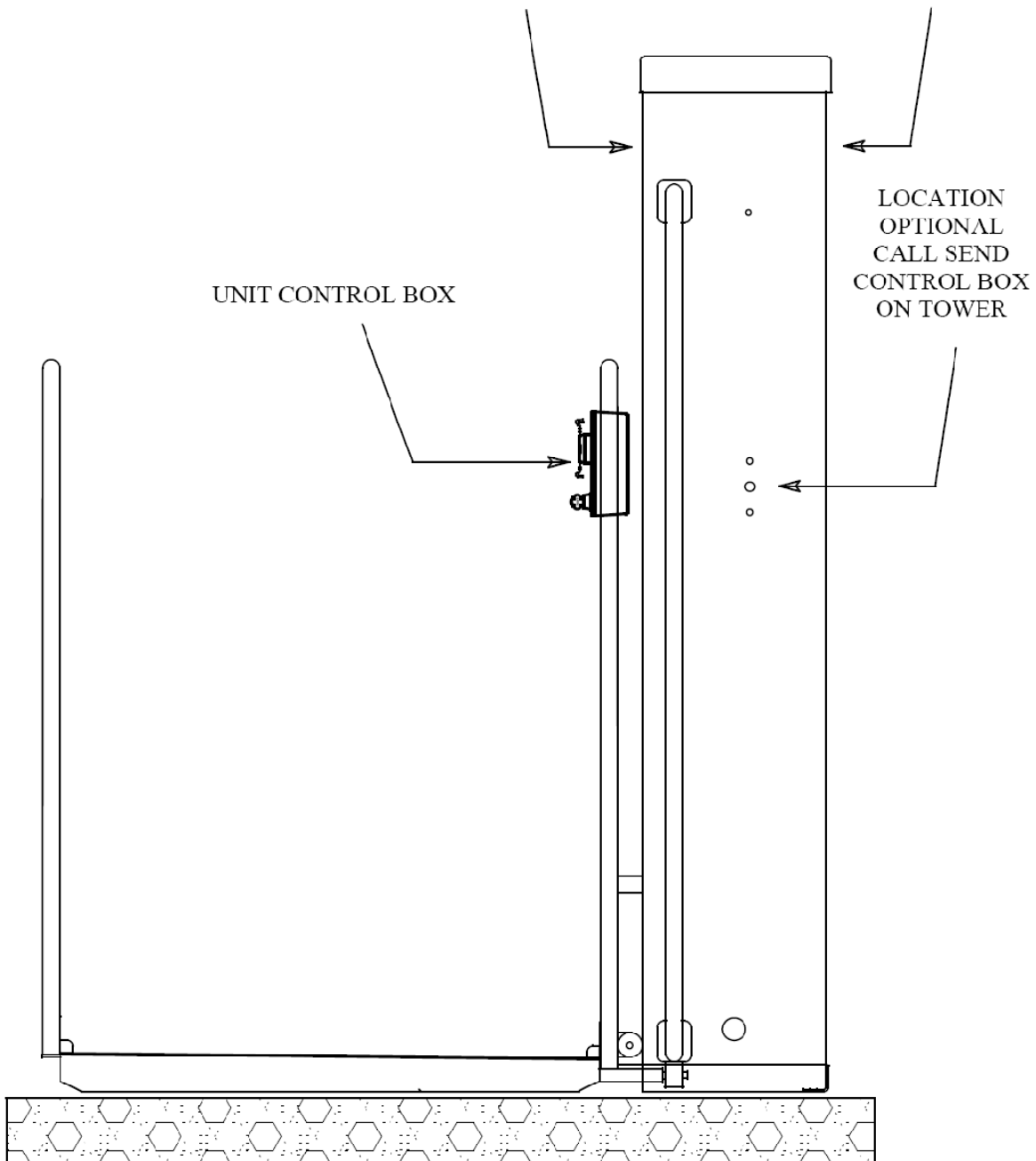




Mac's Lift Gate Inc.

### **Mac's PL-50 Vertical Home Lift Technical Specifications**

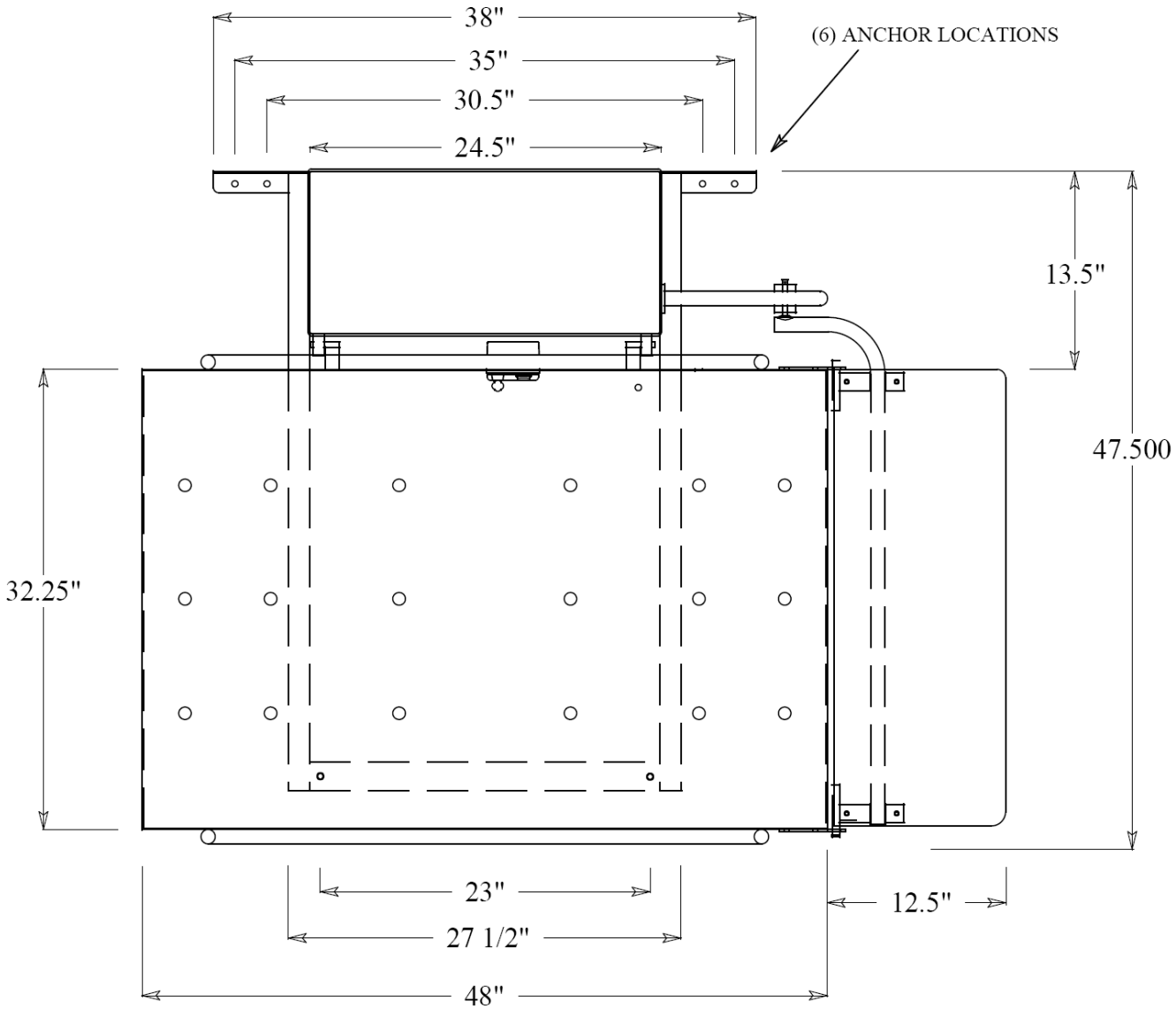
REMOVABLE FRONT PANNELS ( 2 EACH) AND  
REMOVABLE REAR PANNEL ( 1 EACH ) PROVIDES  
ACCESS TO THE DRIVE MECHANISM





Mac's Lift Gate Inc.

**Mac's PL-50 Vertical Home Lift Technical Specifications**



PL-50 w/ Standard Platform  
Platform Width: 32-1/4"  
Platform length: 48"  
Ramp length: 12"  
Overall dimensions: 48" x 48"  
4" (inch) Concrete Slab for Mounting